



- **Capacity:** 500 litres
- **Fill-time (based on 50psi mains pressure):** 40 minutes
- **Work-time:** 8 hours
- **Empty Weight:** 72Kg
- **Full Weight:** 572Kg
- **Required payload:** 800Kg min.
- **Footprint (including bracket):** 108 x 85cms
- **Height:** 82cms
- **Maximum Operators:** 2
- **Pumps:** 1
- **DI Vessels:** 1
- **Auto shut-off when full**
- **Water-type:** Normal to Soft

- ✓ **100% SAFETY RECORD**
- ✓ **COMMERCIAL JOBS**

**MASSIVE
3 YEAR
Guarantee**

Useful optional extra

External van-mounted access point

Enables easy access to inlet and outlet ports allowing you to operate and fill the system with the van doors locked for security purposes



Organised & Secure for simplicity & safety



Precision controls for ease of use



Top-quality metal fittings



Ballcock for shut-off



Built-in water baffles for stability in your vehicle



Vertical Resin vessel



Quick-release Connectors for ease of use



Securely mounted through floor to chassis

E-Compact 500DI - Van or Trailer Mounted.

Designed to fit medium vans and trailers, the Brodex E-Compact 500 litre De-Ionisation System is part of the latest generation of window cleaning equipment. Built for professional window cleaners from high-impact polypropylene, with quality components throughout and backed by our massive 3-year guarantee. The logical upgrade from a 250L system, particularly suited to domestic or commercial use.

This model produces Pure Water quickly through a resin-based filtration system, removing impurities, calcium, lime and chlorine, and is suitable for soft water areas. The maintenance is very low and the consumables are simple and quick to change.

- Uses a vertical resin system, which is 80% more efficient than horizontal resin vessels
- Allows for 2 operators at once, thus increasing your profits. Or upgrade to 2 pumps allowing 4 operators

You may wish to consider the RO alternative, since although at a higher initial cost, the RO has significantly lower running costs than the DI, due to greatly increased resin-life - often as much as 20 times. So, even in soft water areas, it is better value in the long run.

Summary: Built-for-purpose. Fast and easy to use, with low running-costs and very fast 'pay-back'.

Our Trade-In option makes investing in this system one of the best decisions you will ever make.

Why go anywhere else?

100% Safety Record



Our systems are securely mounted, using our steel Tanksafe Bracket, to and *through* the floor to the chassis of your vehicle for absolute safety. We always recommend that you install a steel bulkhead for the safety of driver and passenger in the event of a head-on collision.

Frost Advice:

Avoid letting your system freeze, as this may cause expensive damage, resulting in items needing replacement.

Brodex System Benefits:

- Very low maintenance
- Extremely low running costs
- Full training given
- Lifetime customer support service
- Free demonstration, try-before-you-buy

We give you a supply of promotional leaflets for your customers, to ease the transition from ladders to WFP

Peace of mind with our No-Quibble Guarantee

**Brodex
LIFETIME
SUPPORT
PACKAGE**

Start-up Kit Available

Comprising: 18ft pole, 50m hose and steel trolley, Bag of quality resin and TDS Meter.



Datasheet **E 500 DI**



Easy-fill Resin Vessel

Tight-seal access lid for maintenance

Quality brass and alloy fittings, with stainless steel braided hose – no leaks

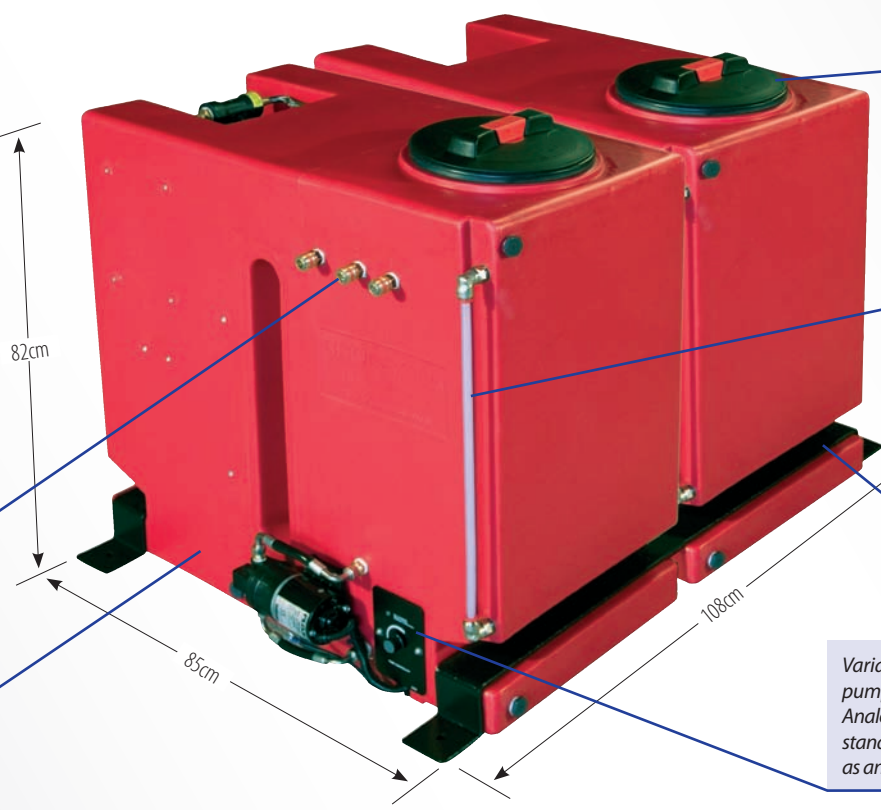
At-a-glance fill-level indicator

Brass quick-release connection ports for Water Fed Poles

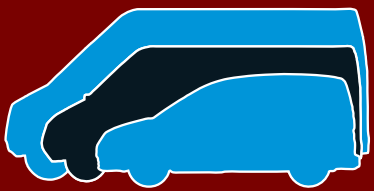
Rust-proof steel "Tanksafe" security bracket

Constructed from Hi-impact polypropylene

Variable speed pump controls. Analogue standard, digital as an option



Selecting a Van - **MEDIUM** Payload 800kg



Typical:
Ford Transit Connect
Citroën Despatch

Floorcote waterproof non-slip

Protect your investment, whilst making it safer to move around
* Please note: if you require us to treat your van with Floorcote we will require it for 3 days



Machine	Usage Guide	Capacity (litres)	Fill Time	Running Time	Guarantee	Operators	Payload (min)	Water Type	Upgrade Kit
E-250DI E-250RO	Domestic or Small Commercial Jobs	250 250	20mins 4hrs	4hrs 4hrs	3yrs 3yrs	2 2	Any Van Any Van	Soft Soft & hard	to RO & E-500 to E-500
E-500DI E-500RO	Commercial Jobs	500 500	40mins 8hrs	8hrs 8hrs	3yrs 3yrs	2 2	800kgs 800kgs	Soft Soft & hard	to RO N/A
E-650DI E-650RO	Medium to Large Commercial Jobs	650 650	30mins 6hrs	10hrs 10hrs	3yrs 3yrs	4 4	1000kgs 1000kgs	Soft Soft & hard	to RO N/A
E-1000DI E-1000RO	Large Commercial Jobs	1000 1000	1hr 8hrs	12+hrs 12+hrs	3yrs 3yrs	4 4	1500kgs 1500kgs	Soft Soft & hard	to RO N/A
Bulkflow 1000RO Bulkflow 2000RO	Static 24hr Bulk Storage Water Purifier	1000 2000	N/A N/A	N/A N/A	3yrs 3yrs	N/A N/A	Static Static	Soft & hard Soft & hard	N/A N/A

EASY-PAY Leasing Options

Spread the cost with our Easy-pay leasing option.



Further Reading: Brodex: Selecting the right pole for you, Brodex Brush-head Guide, Brodex Beginners' Guide, Brodex at-a-glance: why 100s of businesses choose Brodex as their "supplier of choice" & Brodex CD containing videos and all sorts of useful information

The next step...

call us today on **0800 161 3212**
to book a Free demonstration or find out more
"We are here to help"

Brodex
12 Forest Road, Southport,
England PR8 6ST
www.brodexbms.co.uk

